

OEM PRESSURE TRANSMITTER

Special Features:

- Low Cost OEM
- Wide Temperature Range
- Crevise Free Stainless Steel Construction
- No Seals or O-Rings
- Compact Version
- Surge Protection, Reverse Voltage Protection to 36V DC



Applications:

C3200 OEM Pressure Transmitters with Compact Design are used for various applications in Aviation Industry, Pharmaceuticals, Refrigeration and HVAC Controls, Process Control, Motor Fuel Control, Water Pressure Monitoring and High end industrial machinery.

Performance Specifications:

Pressure Range	: -1 Bar ~ 40 Bar, Optionally available in psi/MPa/kg/cm ₂
Accuracy	: ±0.25%
Oper Proof Pressre	: 2X
Burst Pressure	: 5X
Input Voltage	: 12 - 36 VDC
Output	: 4-20 mA , 0-10V , 0-5V, 0.5-4.5V Ratiometric, 1-5V
Wetted Parts	: 17-4 PH SS
Diaphragm	: AISI 304 SS
Case	: Nylon 6/6
Media Compatibility	: All Materials compatible with Stainless Steel
Protection	: IP 65; IP68 (Cable Version)
Agency Approval	: CE

	2 Wire	3 Wire	3 Wire
Output	: 4 - 20mA	0.5 - 4.5V	0 - 10V
Excitation (V)	: 12 - 36V	4.75 - 5.25V	15 - 30V

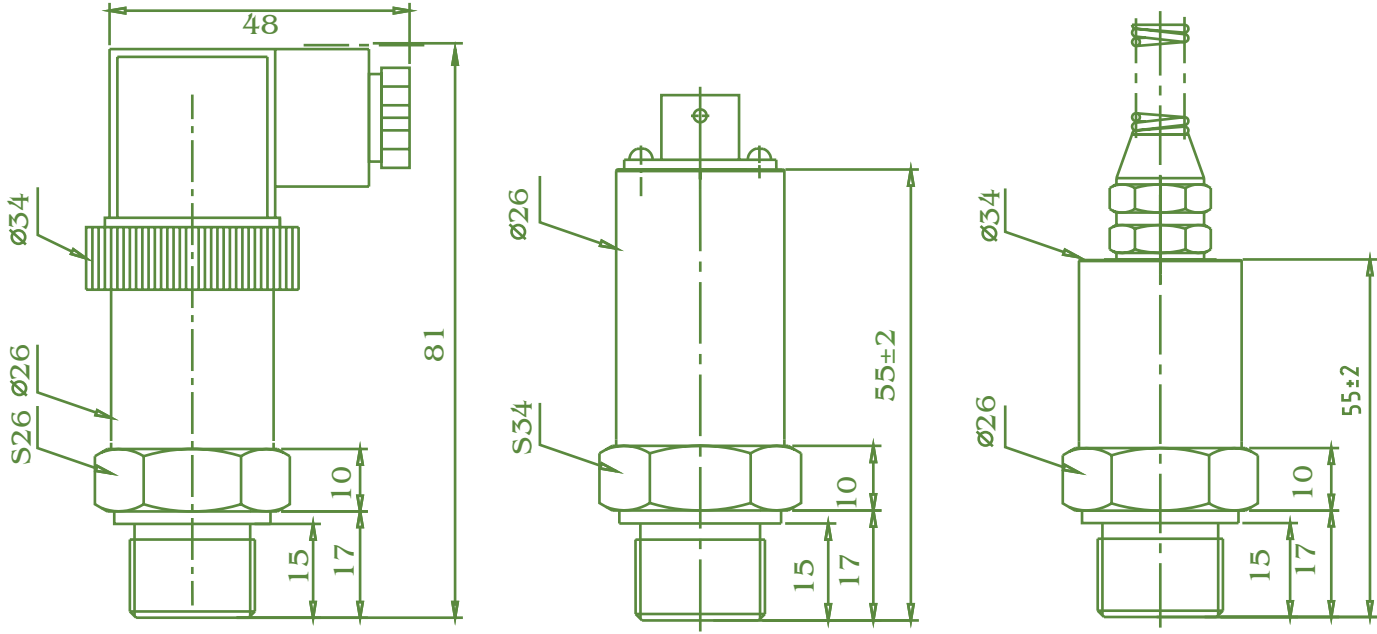
Standard Ranges:

RANGE (BAR)	RANGE (BAR)
-1/0	-1/1
-1/2	-1/3
-1/4	-1/5
-1/6	-1/10
-1/20	-1/40
0/1	0/1.5
0/2	0/2.5
0/3	0/3.5

* Non Standard Ranges And Various Engineering Units Available On Request

OEM PRESSURE TRANSMITTER

⚙️ Dimensions:



⚙️ Wiring Method :

Connector Type	4-20 mA Output	Voltage Output
	Pin 1 : + Excitation Pin 2 : + Output	Pin 1 : + Excitation Pin 2 : + Output Pin 3 : - Excitation/ - Output
	+ Excitation (RED) 4-20 mA Output Output (BLACK)	+ Excitation (RED) V Output + Signal (GREEN) - Excitation (BLACK)
	Pin 1 : Excitation Pin 3 : Output	Pin 1 : + Excitation Pin 3 : + Output Pin 4: - Excitation/ - Output
	Pin 1 : Excitation Pin 2 : Output	Pin 1 : + Excitation Pin 2 : + Output Pin 3: - Excitation/ - Output

OEM PRESSURE TRANSMITTER

HOW TO ORDER

⚙️ Basic Model: C32

1	0.5 to 4.5V (ratiometric)	2	4 - 20mA	3	1 to 5V	2
4	0 to 10V	5	0 to 5V	6	0 to 100mV	

⚙️ Process Connection: 1

1	1/4" BSP (M)	2	1/2" BSP (M)	3	7/16" UNF (M)
4	1/4" NPT (M)	5	1/2" NPT (M)	7	1.5" Sanitary

⚙️ Electrical Connection: 6

1	2ft Cable	2	2ft Cable with IP68 Gland	5	M12
4	Packard Metripak Connector	5	Bendix	6	Hirschman DIN 43650

⚙️ Pressure Range: 001

Please Refer to the range table

⚙️ Units: B

B	Bar
P	Psi

⚙️ Pressure Type: G

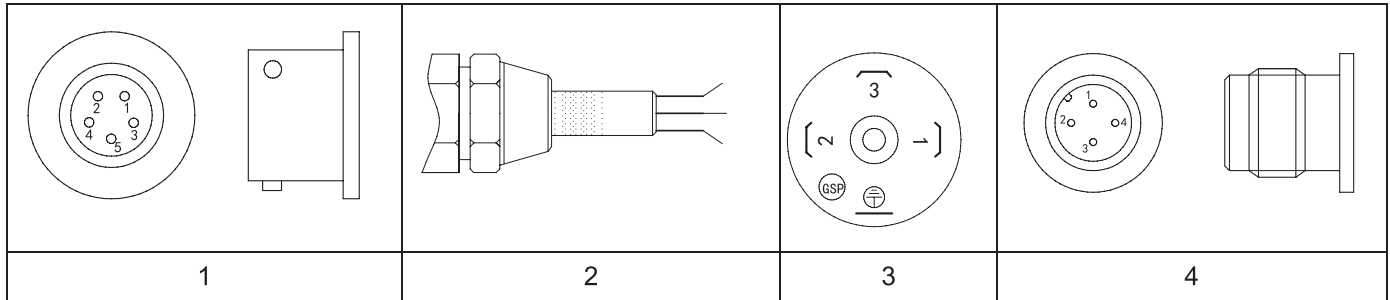
A	Absolute Pressure
G	Gauge Pressure
C	Compound Pressure

Ordering Example : C3221-6-001BG

OEM PRESSURE TRANSMITTER



Connections:



Connector type	Function	Color	5PIN	Connector type	Function	Color	
5PIN connector 0-5V; 0-10V 0.5-4.5V, 1-5V	S+	Blue	1	Grand cable 0-5V; 0-10V 0.5/4.5V, 1-5V	S +	Blue	
	E+-	Red	2		E +	Red	
	E-/S-	Yellow/White	3		E-/S-	Yellow/White	
5PIN connector 1.5mV/V, 2mV/V 3.33mV/V	S+	Blue	1	Grand cable 1.5mV/V, 2mV/V 3.33mV/V	S+	Blue	
	E +	Red	2		E +	Red	
	S -	White	3		S -	White	
	E -	Yellow	4		E -	Yellow	
	C	Black	5		C	Black	
5PIN connector 4-20mA	E+	Red	1	Grand cable 4-20mA	E+	Red	
	S+	Black	2		S+	Black	
Connector type	Function	Color	4PIN	Connector type	Function	Color	4PIN
Hirschman 0-5V; 0-10V 0.5-4.5V, 1-5V	E+	Red	1	M12×1 connector 0-5V; 0-10V 0.5-4.5V, 1-5V	E +	Red	1
	S+	Blue	2		S +	Blue	3
	E-/S-	Yellow/White	3		E-/S-	White	4
Hirschman 4-20mA	E+	Red	1	M12×1 connector 4-20mA	E+	Red	1
	S+	Black	2		S+	Black	3